

## Service Manual

HP DesignJet 700,  
HP DesignJet 750C,  
HP DesignJet 750C Plus and  
HP DesignJet 755CM  
Plotters/Printers

---

## For HP Internal Use Only

© Copyright Hewlett-Packard Company 1996

This document contains proprietary information that is protected by copyright. All rights are reserved. No part of this document may be photocopied, reproduced, or translated into another language without the prior written consent of Hewlett-Packard Company.

HP internal order number  
C4705-90000  
Second edition, August 1996  
Printed in U.S.A.

## Warranty

The information contained in this document is subject to change without notice.

**Hewlett-Packard makes no warranty of any kind with regard to this material, including, but not limited to, the implied warranties of merchantability and fitness for a particular purpose.**

Hewlett-Packard shall not be liable for errors contained herein or for incidental or consequential damages in connection with the furnishing, performance, or use of this material.

## WARNING

The procedures described in this manual are to be performed by HP-qualified service personnel only.

### Electrical Shock Hazard

Serious shock hazard leading to death or injury may result if you do not take the following precautions:

- Ensure that the ac power outlet (mains) has a protective earth (ground) terminal.
- Disconnect the plotter from the power source prior to performing any maintenance.
- Prevent water or other liquids from running onto electrical components or circuits, or through openings in the enclosure.

### Electrostatic Discharge

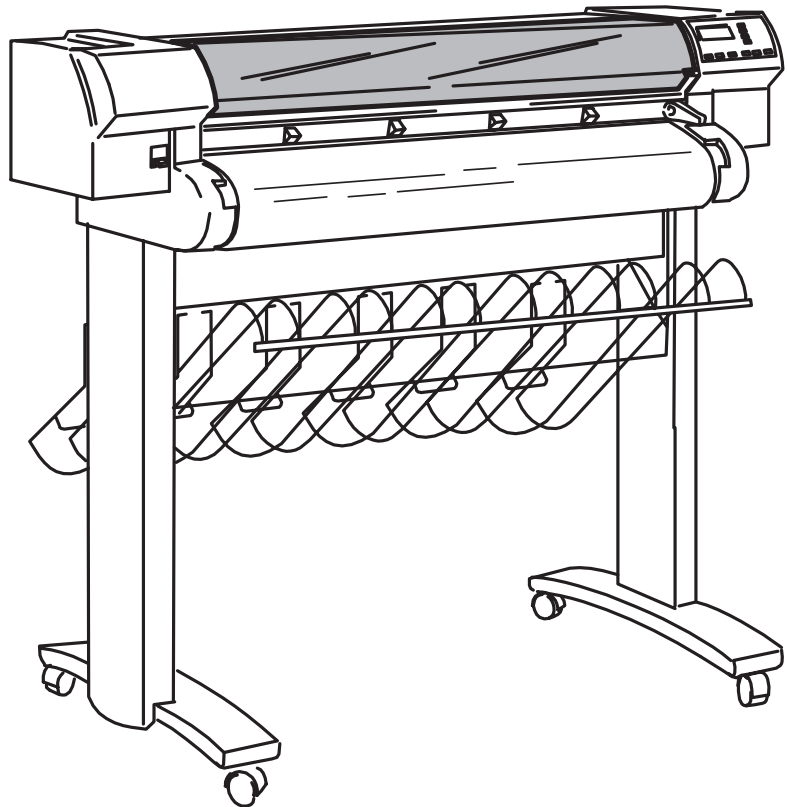
Refer to the beginning of Chapter 6 of this manual, for precautions you should take to prevent damage to the plotter circuits from electrostatic discharge.

### Safety Symbols

General definitions of safety symbols are given immediately after the table of contents.

---

# Service Manual



---

HP DesignJet 700  
HP DesignJet 750C  
HP DesignJet 750C Plus and  
HP DesignJet 755CM  
Plotters/Printers